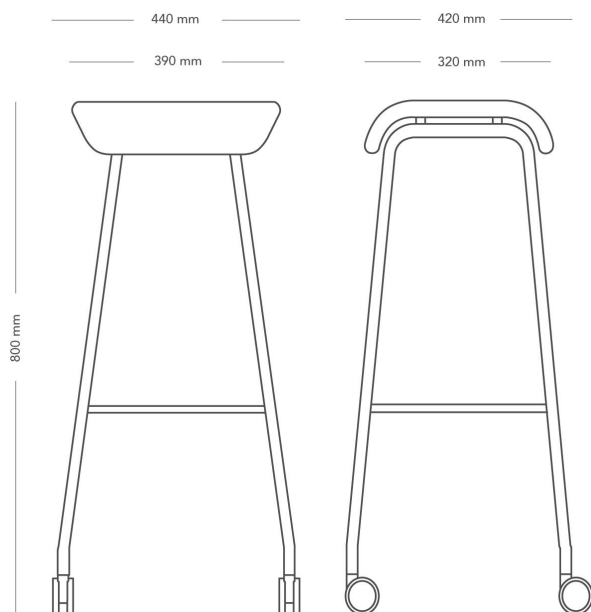


Sela

SELA STOOL WITH CASTORS, HIGH SEAT HEIGHT

Sela is a multifunctional stool that supports flexible sitting. The saddle seat provides an active sitting position and focuses on movement, by offering several ways to sit. Sela is mobile and easy to move and fits perfectly in activity-based offices.

Suits table heights approx. 1050 - 1150 mm.



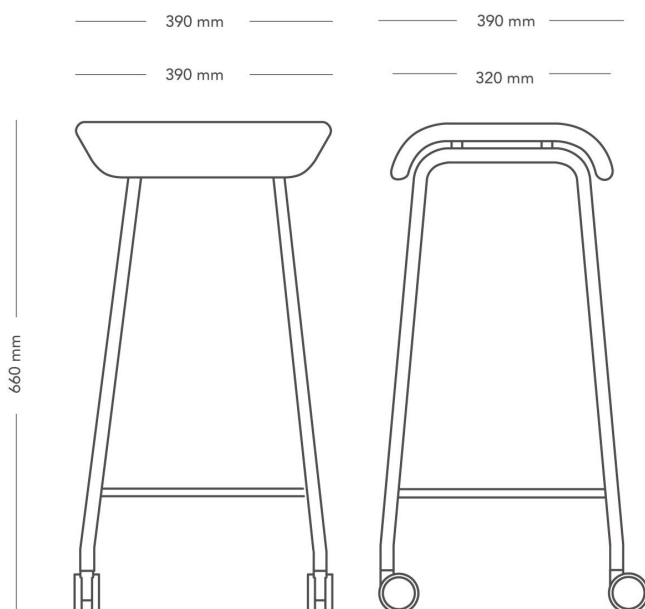
MODEL	Stool with castors	
VARIANTS	<ul style="list-style-type: none"> – Low – Medium – High 	
ACCESSORIES	– Other colours on leg frame and castors.	
DETAILS	– Low seat height fits table height approx. 720 mm, medium seat height fits table height approx. 900 mm and high seat height fits table height approx. 1050 - 1150 mm.	
CONSTRUCTION	Stool with castors has powder-coated, bent steel pipe stand 19x2 mm (variety: EN10305-3 E220) with four legs and castors, diameter 55 mm. Seat in molded wood with cut polyether foam all around, and upholstered. No glue between fabric and foam.	
DIMENSIONS	Height: 800 mm Depth: 440 mm	Width: 420 mm Seat height: 800 mm
WEIGHT	5.2 kg	
TESTED	EN 16139:2013	
GUARANTEE	5 years	

Sela

STOOL WITH CASTORS, MEDIUM SEAT HEIGHT

Sela is a multifunctional stool that supports flexible sitting. The saddle seat provides an active sitting position and focuses on movement, by offering several ways to sit. Sela is mobile and easy to move and fits perfectly in activity-based offices.

Suits table heights approx. 900 mm.



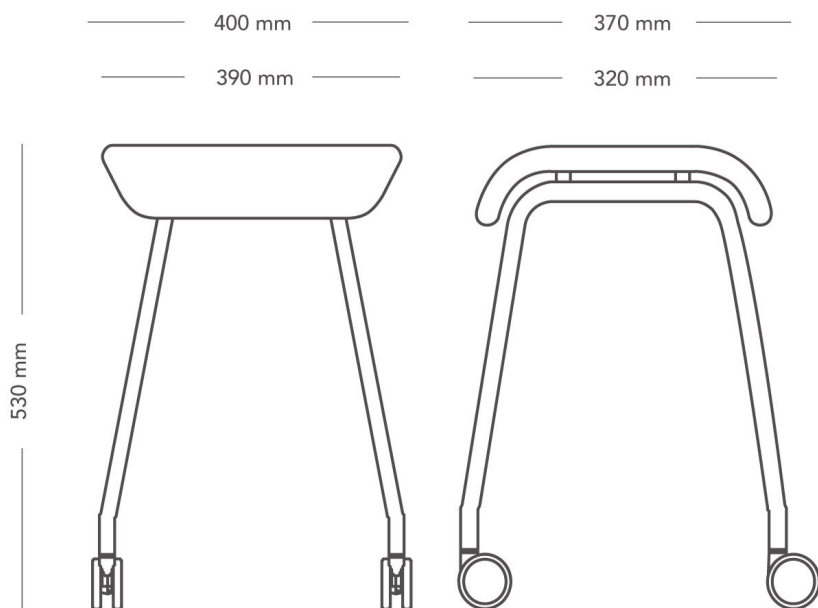
MODEL	Stool with castors	
VARIANTS	<ul style="list-style-type: none"> – Low – Medium – High 	
ACCESSORIES	– Other colours on leg frame and castors.	
DETAILS	– Low seat height fits table height approx. 720 mm, medium seat height fits table height approx. 900 mm and high seat height fits table height approx. 1050 - 1150 mm.	
CONSTRUCTION	Stool with castors has powder-coated, bent steel pipe stand 19x2 mm (variety: EN10305-3 E220) with four legs and castors, diameter 55 mm. Seat in molded wood with cut polyether foam all around, and upholstered. No glue between fabric and foam.	
DIMENSIONS	Height: 660 mm Depth: 390 mm	Width: 390 mm Seat height: 660 mm
WEIGHT	4.8 kg	
TESTED	EN 16139:2013	
GUARANTEE	5 years	

Sela

SELA STOOL WITH CASTORS, LOW SEAT HEIGHT

Sela is a multifunctional stool that supports flexible sitting. The saddle seat provides an active sitting position and focuses on movement, by offering several ways to sit. Sela is mobile and easy to move and fits perfectly in activity-based offices.

Suits table heights approx. 720 mm.



MODEL	Stool with castors	
VARIANTS	<ul style="list-style-type: none"> – Low – Medium – High 	
ACCESSORIES	– Other colours on leg frame and castors.	
DETAILS	– Low seat height fits table height approx. 720 mm, medium seat height fits table height approx. 900 mm and high seat height fits table height approx. 1050 - 1150 mm.	
CONSTRUCTION	Stool with castors has powder-coated, bent steel pipe stand 19x2 mm (variety: EN10305-3 E220) with four legs and castors, diameter 55 mm. Seat in molded wood with cut polyether foam all around, and upholstered. No glue between fabric and foam.	
DIMENSIONS	Height: 530 mm Depth: 400 mm	Width: 370 mm Seat height: 530 mm
WEIGHT	3.8 kg	
TESTED	EN 16139:2013	
GUARANTEE	5 years	