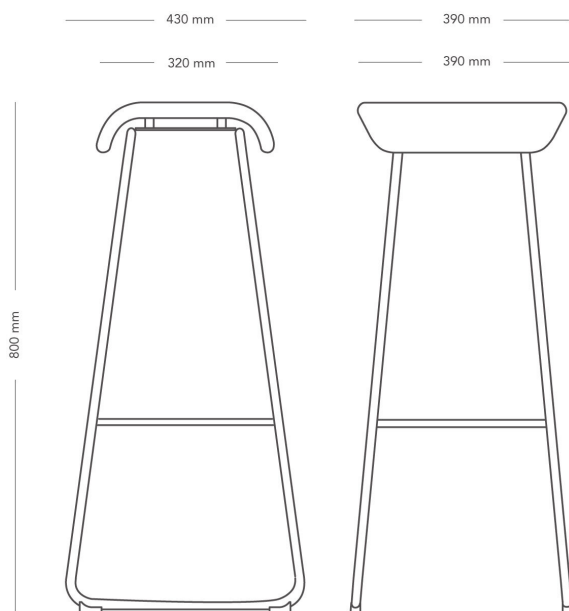


Sela

STOOL WITH SLEDGE, HIGH SEAT HEIGHT

Sela is a multifunctional stool that supports flexible sitting. The saddle seat provides an active sitting position and focuses on movement, by offering several ways to sit. Sela is mobile and easy to move and fits perfectly in activity-based offices.

For table heights approx. 1050 - 1150 mm.



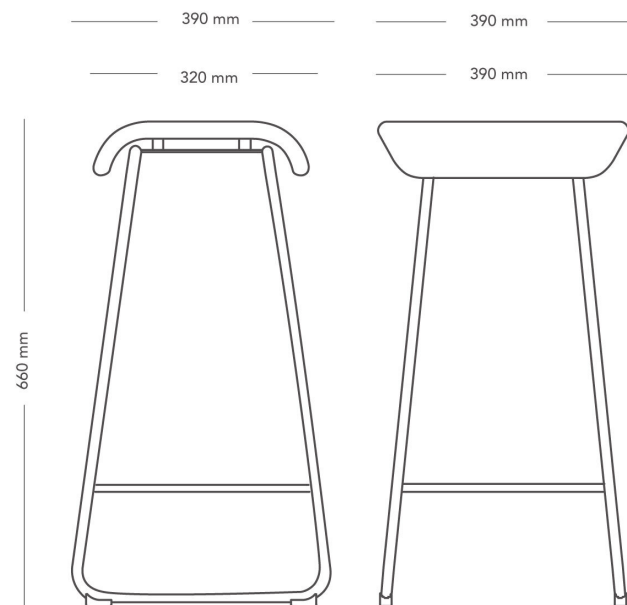
MODEL	Stool with sledge	
VARIANTS	<ul style="list-style-type: none"> – Low – Medium – High 	
ACCESSORIES	– Other colours on leg frame and castors.	
DETAILS	<ul style="list-style-type: none"> – Low seat height fits table height approx. 720 mm, and has a rocking function. Medium seat height fits table height approx. 900 mm and high seat height fits table height approx. 1050 - 1150 mm. 	
CONSTRUCTION	Stool with sledge has a powder-coated, bent steel pipe stand 16x2 mm (variety: EN10305-3 E220). Seat in molded wood with cut polyether foam all around, and upholstered. No glue between fabric and foam.	
DIMENSIONS	Height: 800 mm Depth: 430 mm	Width: 390 mm Seat height: 800 mm
WEIGHT	5.2 kg	
TESTED	EN 16139:2013	
GUARANTEE	5 years	

Sela

SELA STOOL WITH SLEDGE, MEDIUM SEAT HEIGHT

Sela is a multifunctional stool that supports flexible sitting. The saddle seat provides an active sitting position and focuses on movement, by offering several ways to sit. Sela is mobile and easy to move and fits perfectly in activity-based offices.

For table heights approx. 900 mm.



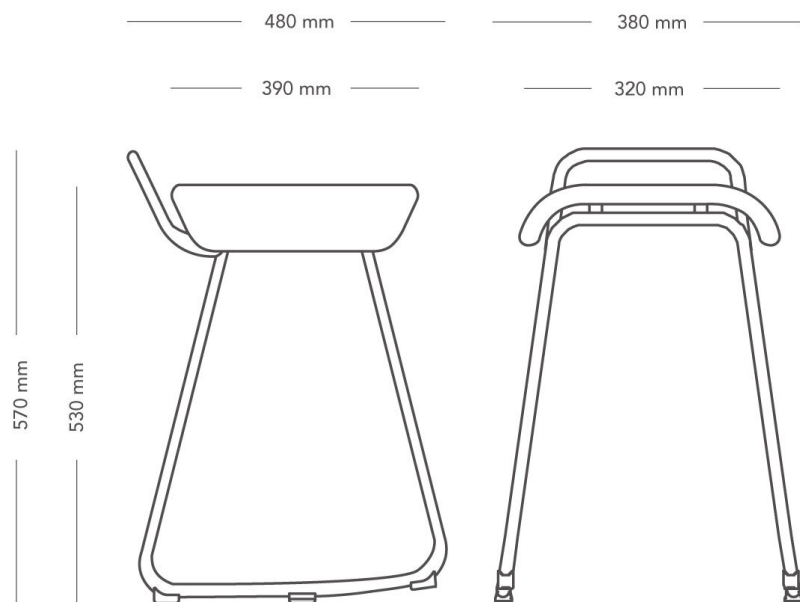
MODEL	Stool with sledge	
VARIANTS	<ul style="list-style-type: none"> – Low – Medium – High 	
ACCESSORIES	– Other colours on leg frame and castors.	
DETAILS	<ul style="list-style-type: none"> – Low seat height fits table height approx. 720 mm, and has a rocking function. Medium seat height fits table height approx. 900 mm and high seat height fits table height approx. 1050 - 1150 mm. 	
CONSTRUCTION	Stool with sledge has a powder-coated, bent steel pipe stand 16x2 mm (variety: EN10305-3 E220). Seat in molded wood with cut polyether foam all around, and upholstered. No glue between fabric and foam.	
DIMENSIONS	Height: 660 mm Depth: 390 mm	Width: 390 mm Seat height: 660 mm
WEIGHT	4.8 kg	
TESTED	EN 16139:2013	
GUARANTEE	5 years	

Sela

STOOL WITH SLEDGE BASE, LOW SEAT HEIGHT

Sela is a multifunctional stool that supports flexible sitting. The saddle seat provides an active sitting position and focuses on movement, by offering several ways to sit. Sela is mobile and easy to move and fits perfectly in activity-based offices.

Low seat height has rocking function, suitable for table heights approx 720 mm.



MODEL	Stool with sledge	
VARIANTS	<ul style="list-style-type: none"> – Low – Medium – High 	
ACCESSORIES	– Other colours on leg frame and castors.	
DETAILS	<ul style="list-style-type: none"> – Low seat height fits table height approx. 720 mm, and has a rocking function. Medium seat height fits table height approx. 900 mm and high seat height fits table height approx. 1050 - 1150 mm. 	
CONSTRUCTION	Stool with sledge has a powder-coated, bent steel pipe stand 16x2 mm (variety: EN10305-3 E220). Seat in molded wood with cut polyether foam all around, and upholstered. No glue between fabric and foam.	
DIMENSIONS	Height: 570 mm Depth: 480 mm	Width: 380 mm Seat height: 530 mm
WEIGHT	4.1 kg	
TESTED	EN 16139:2013	
GUARANTEE	5 years	